



abm

Grinding Technologies



OMEGA LASER

CNC GRINDING MACHINE WITH LASER SYSTEM
5-Axes CNC Control



www.abmgrinding.com



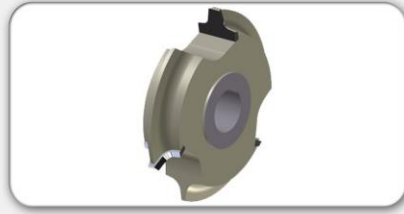
The future technology of grinding by laser ablation. OMEGA-LASER combines precision, flexibility, compact design, versatility and status processing in one machine. 5-axis design and CNC control system helps for the production of perfect precision tools.

OMEGA-LASER technology creates new machining possibilities, works through diamond and binding material which creates perfect cutting edges without break-outs. While on the conventional grinding diamond grains are break-out or eroding process only the binding material is eroded. With this new technology, coarse-grained PCD grades can also be processed without loss of quality and chip breaker grooves are possible to do with only one clamping. HSK toolholders are used with highly compact handling of the tools and market availability for various gripping systems.

Laser technology enables contact-free precision machining without tool wear. Lower operating costs by eliminating the need for consumable materials like erosion discs, coolant and grinding wheels. An environment friendly technology of the future.



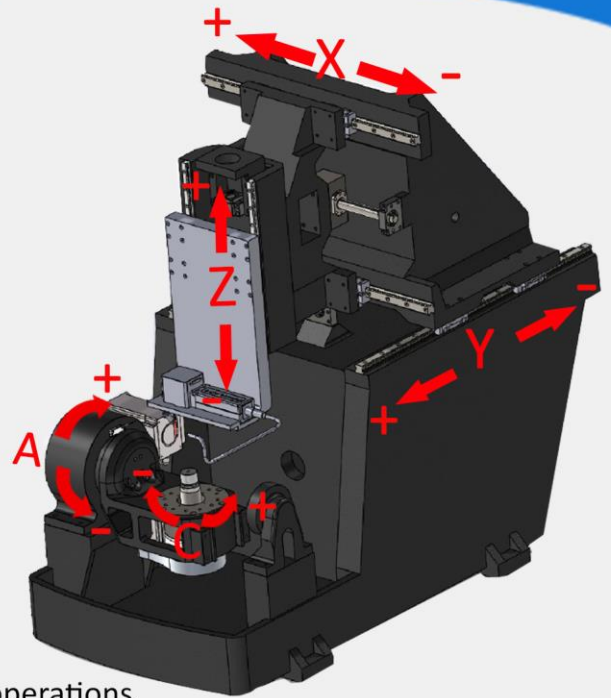
Helical cutters and router bits



Profile knives and moulders

TECHNICAL SPECIFICATIONS

- Tool diameter \varnothing 3 to 300 mm
- Resolution 0.005mm
- Tool holder HSK-A63
- Servo motors with screws and precision guides.
- X-axis travel 200 mm
- Y-axis travel 460 mm
- Z-axis travel 280mm
- C-axis travel ∞
- A axis travel 200mm
- 21,5" LED touch screen with industrial PC.
- Internal light
- Ergonomic cabin construction for tool loading/unloading operations.
- Electronic probe for tool detection and automatic positioning.
- Oil-tight casing cabin according to CE standards
- Weight 5000 kg
- Dimensions 3800x1800x2300 mm



Think Sharp



Laser technology to lead the ever-changing world of tool processing



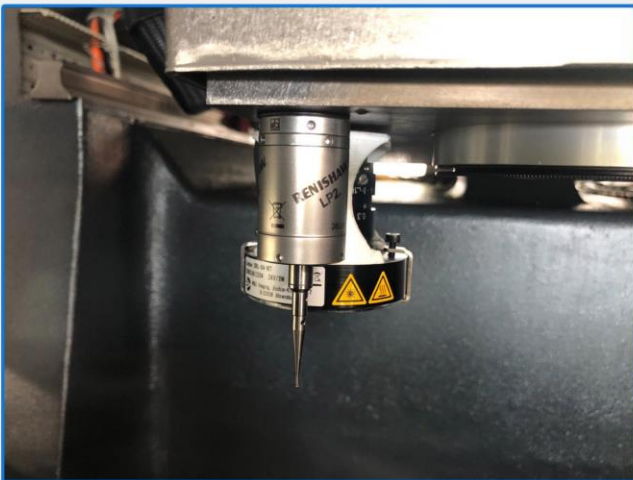
21,5" LED touch screen with industrial PC



Handwheel for ease of use



Perfect cutting edges and clearance angles in precision tools.



RENISHAW Probe Measuring Unit



HSK - A63 Tool Holder