



Advance grinding, it's what a grinder should be...

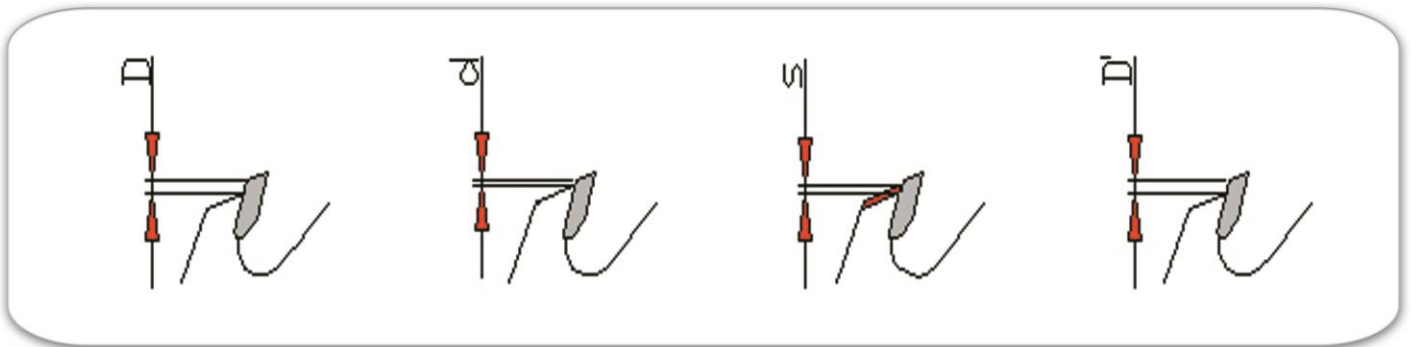
HYDRAULIC AUTOMATIC T.C.T. CIRCULAR SAW RELIEF GRINDER

The flexible, profitable solution

High technology to lead the ever-changing world of tool processing.

OTOSAD-98 ECO automatic hydraulic steel reliever provides automatic relieving of straight, beveled or antikickback shoulders in one cycle.

Purpose



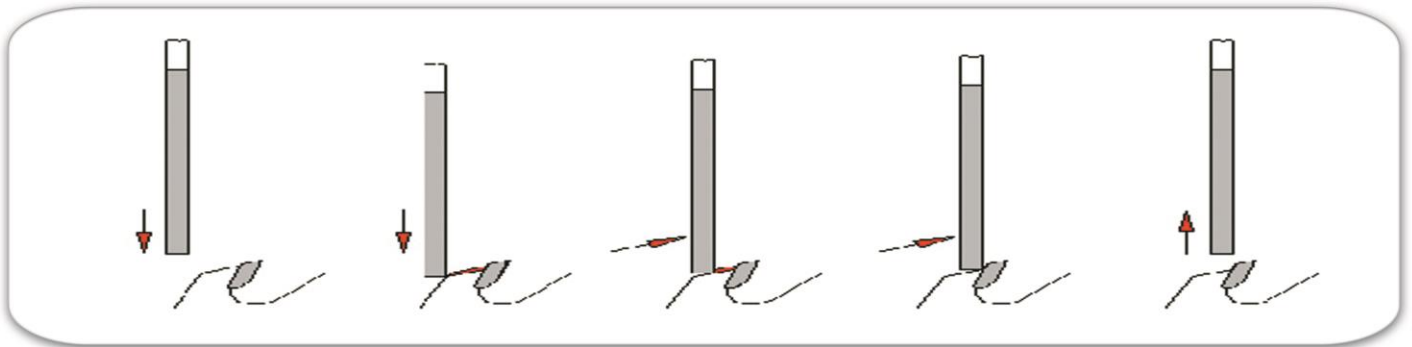
A versatile response to meet all demands...

General Features

- Automatic relieving of straight, beveled or anti-kickback shoulders in one cycle.
- Independently adjustable grinding and indexing speed
- Totally enclosed cabin for operator safety.
- Simple controls for ease of use.
- Internal diagnostic.
- Rigid base.
- Ergonomic cabin for ease of loading and unloading.
- Production conformed with CE standards.

Become independent ! Optimum use of the unique grinding machine and the most operator-friendly control system. Special high speed set-ups can give "off-carbide" grinding time which increases productivity without depending on grinding accuracy or wheel life. ABM Control system eases the grinding operations while increasing your quality.

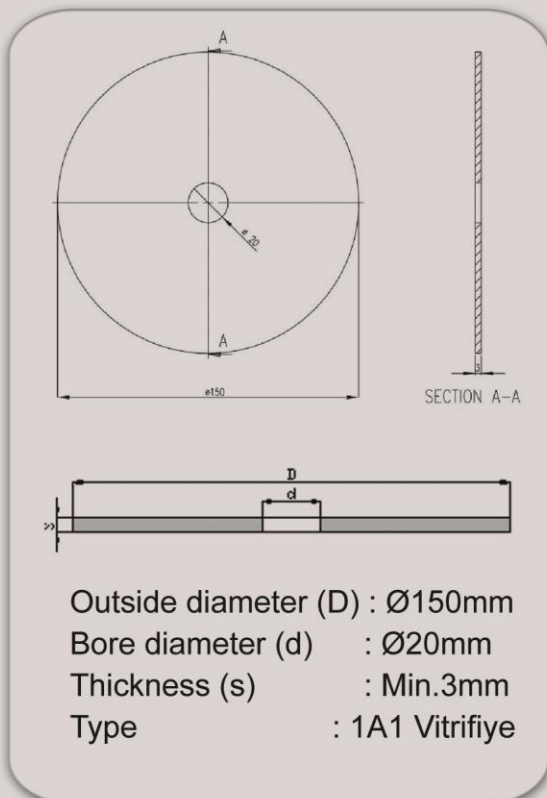
Relief grinding operation



The true innovation is the product of experience and dynamics...

Steel Relieving Wheel

Technical Specifications



- Circular saw outside diameter : Ø100-750mm
- Bore diameter : Min Ø16mm
- Blade thickness : Maks. 5mm
- Tooth pitch : Maks.100mm
- Feeding rate : 0-25diş/dk.
- Wheel diameter : Ø150mm
- Wheel bore diameter : Ø20mm
- Wheel thickness : Min. 3mm
- Grinding motor : 1HP
- Coolant motor capacity : 55 lt/dk.
- Coolant container capacity : ~70lt.
- Motor quantity : 3
- Connected load : 2,7kW
- Voltage : 380V, 3Ph, 60Hz
- Net/gross weight : 850/875kg
- Dimensions : 125*185*210cm

At ABM, we develop our machines, our own electronic systems and application software and manufacture all main mechanical components. Finally, we assemble and test the final product to global machine standards. Whichever ABM machine you choose for your grinding, you will know that it is built to meet the all market demands.

Hydraulic Power Unit

- Hydraulic Pump Capacity 3,2 lt / min.
- Working Pressure 20 Bars
- Container Capacity 18 lt
- Oil Type Tellus 37
- Number of Valves in use 4

Saw blade holders provided with the machine:

Ø20 – 22 – 25 – 30 – 32 – 35 – 40 – 45 – 50 mm

The ABM Processor-Control difference: productive and always a head...

Otosad-98 ECO

HYDRAULIC AUTOMATIC T.C.T.
CIRCULAR SAW RELIEF GRINDER



General Features

- Automatic relieving of straight, beveled or anti-kickback shoulders in one cycle.
- Non-corroding and hardening plating on all mechanical components.
- Independently adjustable grinding and indexing speed.
- Totally enclosed cabin for operator safety.
- Simple controls for ease of use.
- Internal diagnostic.
- Rigid base.
- Ergonomic cabin for ease of loading and unloading.
- Production conformed with CE standards.

Technical Specifications

- | | |
|---------------------------------|-----------------|
| • Circular Saw Outside Diameter | Ø80-800mm |
| • Bore Diameter | Min Ø16mm |
| • Blade Thickness | Maks. 6mm |
| • Tooth Pitch | Maks.100mm |
| • Feeding Rate | 0-25diş/dk. |
| • Wheel Diameter | Ø150mm |
| • Wheel Bore Diameter | Ø20mm |
| • Wheel Thickness | Min. 3mm |
| • Grinding Motor | 1HP |
| • Coolant Motor Capacity | 55 lt/dk. |
| • Coolant Container Capacity | ~70lt. |
| • Motor Quality | 3 |
| • Connected Load | 2,7kW |
| • Voltage | 380V, 3Ph, 60Hz |