

PNK-CNC

CNC BAND SAW GRINDER

2-Axes CNC Controlled



Introducing the Ultimate CNC Band Saw Grinder

Get Ready to Revolutionize Your Workshop!

Are you tired of dull, inefficient band saw blades that slow down your productivity?

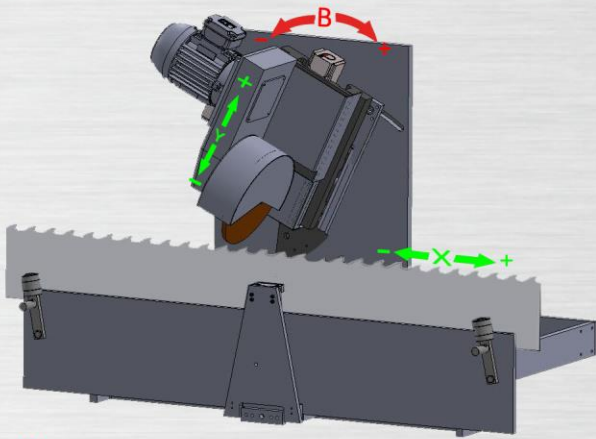
Say goodbye to those struggles because we have the perfect solution for you!

- ✓ Precision Sharpening: Restore your band saw blades to their maximum sharpness, ensuring clean, precise cuts every time according to your wood type.
- ✓ CNC Interface: Creates your own profile on the parametric, easy-to-use screen.
- ✓ Efficiency Boost: Keep your workshop running smoothly with sharp blades, reducing downtime and maximizing productivity.
- ✓ Cost Savings: Avoid frequent blade replacements and save big on your tool maintenance costs.
- ✓ User-Friendly: Easy to use, even for beginners – no more outsourcing sharpening services or specialists!
- ✓ Durability: Built to last, this grinder will be a staple in your workshop for years to come.
- ✓ Affordable Price: Unbelievable value for a limited time only!



abm
Grinding Technologies

PNK-CNC



- (X) Indexing Axis
- (Y) Grinding Axis
- (B) Back clearance – hook angle Axis

Tooth Forms



TECHNICAL SPECIFICATIONS

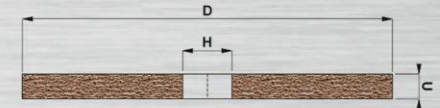
Band saw width	50-200mm
Band saw length	Max. 12m.
Blade thickness	Min 0.4mm
Tooth pitch	Max. 60mm
Tooth depth	Max. 30mm
Tooth forms	NU, NV, PV, PU, KV, SB
Hook angle	(0°) (+40°)
Feed rate (speed controlled)	Max. 90 teeth/min.
Grinding wheel dimensions	D: Ø250mm d:Ø20mm
Grinding wheel thickness	5-13mm (depending on tooth pitch)
CBN Grinding wheel dimensions	D: Ø250mm d:Ø20mm
CBN Grinding wheel thickness	2-3mm (depending on tooth pitch)
Grinding wheel rotation (speed controlled)	1400-5500 r.p.m.
Grinding wheel motor power	1,10kW
Coolant type (optional)	Water emulsion/ Oil
Coolant motor capacity	70 lt/min.
Coolant pressure	6 bars.
Coolant container capacity	80lt.
Motor quantity	4
Connected load	3,6kW
Voltage	380V, 3Ph, 50-60Hz

GENERAL FEATURES

- 2 axes Servo motor controlled.
- Operating screen in any language.
- Downloading a program through internet if demanded.
- LCD screen control panel.
- Language selection on the control panel.
- Tooth form selection from the control panel.
- Grinding all common tooth types.
- Possibility of saving grinding programs of the blades ground.
- Following the hook angle from the control panel.
- Indexing by servo motor.
- Absolute tooth pitch accuracy.
- Variable grinding speed.
- Variable grinding wheel rotation speed.
- Grinding head riding on linear rails.
- Grinding by CBN wheel or DIA wheel.
- Water emulsion/oil coolant [for CBN grinding]. (Optional)
- Central lubrication.
- Integrated light unit.
- Separation of electronic and grinding areas.
- Included band saw carrier legs.
- Motor controlled band saw vertical movement.
- Steady mechanic blade clamp.
- Enclosed cabin for operator safety.
- Ergonomic machine construction for ease of loading and unloading.
- Simple controls for ease of use.
- Production conformed with CE standards.

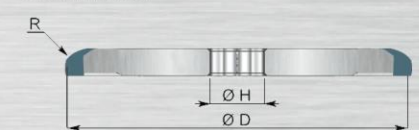
Grinding Wheels

Bakalite Wheel



- D: Ø250mm
- H: Ø20mm
- u: 5-13mm

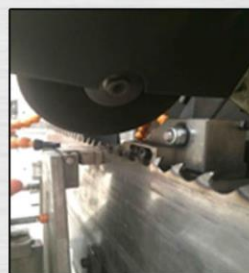
CBN Wheel



- D: Ø250mm
- H: Ø20mm



Fast and precise grinding



Indexing by servo motor



Rigid construction of grinding unit